

The ILS-FE 2MP V3 with built-in ILS V3 firmware is a fisheye camera that allows you to monitor all angles of a location using just one camera. The distorted hemispherical image of the fisheye camera will be converted into the conventional rectilinear projection. Without installing any software, you can watch live views and utilize functions such as motion detection, privacy mask, and alert notifications through the Web interface using an internet browser. In addition, the ILS-FE 2MP V3 with built-in ILS V3 firmware seamlessly integrates with the ILS VMS, providing advanced monitoring and video management features. The ILS-Fisheye IP Camera is designed to be mounted on the ceiling, wall or ground. There are two ways to mount the ILS-FE 2MP V3 on the ceiling, Hard Ceiling Mount and In-Ceiling Mount. In-Ceiling Mount allows the ILS-FE 2MP V3 to be mounted into the ceiling, revealing a small portion of the camera.



Key Features:

- 2 MP progressive scan CMOS
- Dual streams from H.264 and MJPEG
- Electronic day and night function
- Wide Dynamic Range (WDR)
- Provides 360° and 180° panorama view
- No mechanical moving parts
- Built-in micro SD card slot (SD/SDHC) for local storage
- NAS Recording
- Digital Object Tracking
- Virtual PTZ function
- Auto Pan function
- Object tracking
- Built-in Web server for monitoring through internet browser
- Different angle of view controllable by multiple users at the same time
- Up to 1440 x 1376 resolution
- Built-in microphone and speaker
- One sensor input and alarm output
- 12 V DC / 24V AC / PoE (IEEE 802.3af)
- Playback from any view angle and zoom level
- 2D noise reduction
- Privacy mask to cover parts of the image that should not be viewable
- Visual automation
- Tampering alarm
- Text overlay
- 31 languages on web interface
- ONVIF (Profile S) conformant

Model Options:

| | | |
|-----------------|---|---------------------------------------|
| Intra ILS-FE | 2MP WDR Fisheye Camera | *No License included to 3rd Party VMS |
| Intra ILS-FE-V3 | 2MP WDR Fisheye Camera w/ ILS V3 Firmware | *Includes ILS VMS Perpetual License |

Photos

Fisheye Source Image



Single View



2 x 180° View



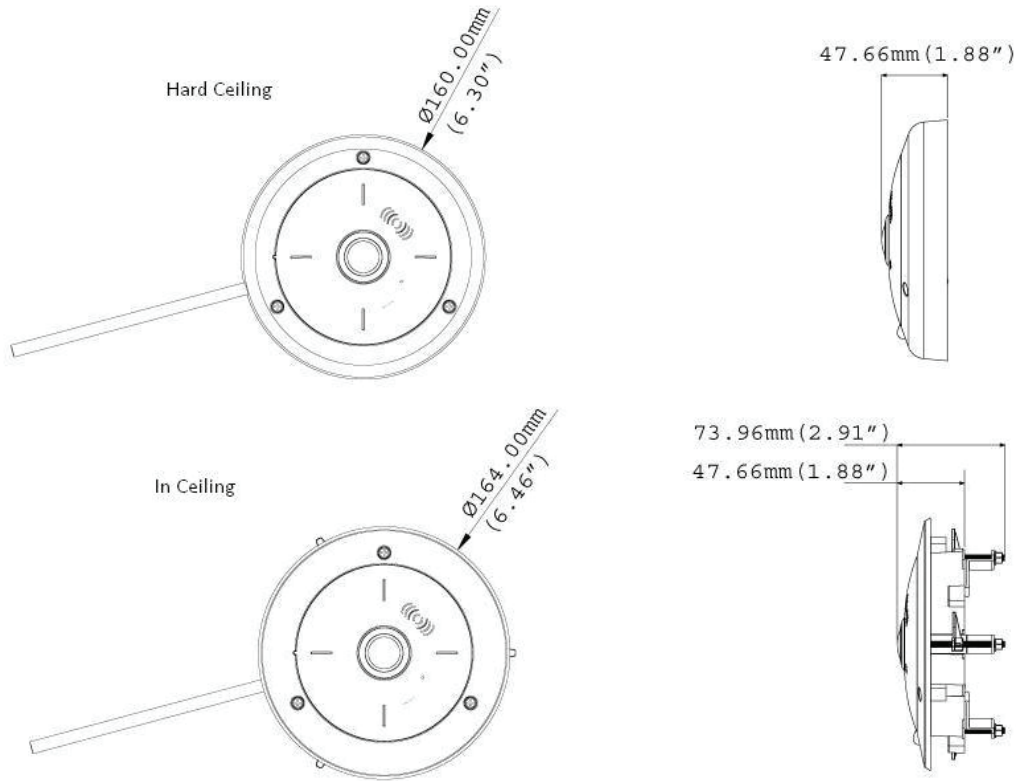
360° View



Quad View



Dimensions



Specifications

System Requirements

| | | |
|---------|--------------------------------|--------------------------------------|
| OS | 32-bit | Windows XP / Vista / 7 / Server 2008 |
| | 64-bit | Windows 7 / Server 2008 |
| Browser | Internet Explorer 7.x or later | |

Camera

| | | |
|----------------------|---------------------------------------|----------|
| Image Sensor | 1/2.5" progressive scan CMOS | |
| Picture Elements | 1440 (H) x 1376 (V) | |
| Minimum Illumination | Color | 0.15 Lux |
| | B/W | 0.10 Lux |
| Shutter Speed | Automatic, Manual (1/5 – 1/8000 sec.) | |
| White Balance | Automatic, Manual (2800K – 8500K) | |
| Gain Control | Automatic | |
| S/N Ratio | 45 dB | |

Optics Lens

| | | |
|--------------|-------------------|-------|
| Megapixel | Yes | |
| Day/Night | Yes (electronic) | |
| Iris | Fixed Iris | |
| Focal Length | 1.05 mm | |
| Aperture | F/2.8 | |
| Mount | M12, Pitch 0.5 mm | |
| Image Format | 1/2" | |
| Operation | Focus | Fixed |
| | Zoom | Fixed |
| | Iris | Fixed |

| Operation | |
|-------------------|---|
| Video Compression | H.264, MJPEG |
| Video Streaming | Dual streams from H.264 or MJPEG |
| Frame Rate | 15 fps *The frame rate and the performance may vary depending on the number of connections and data bitrates (different scenes). |
| Image Setting | Brightness, Contrast, Sharpness, Gamma, White Balance, Flicker-less, Backlight Compensation, Image Orientation, Shutter Speed, Day / Night, WDR, Defog, Denoise, Metering |
| Audio Compression | G.711, AAC (optional) |
| Audio Support | Two-Way Audio |
| Sensor Input | 1 Digital Input (Dry Contact) |
| Alarm Output | 1 Digital Output |

| Network | |
|-----------|--|
| Interface | 10/100 Ethernet |
| Protocol | HTTP, HTTPS, TCP, UDP, SMTP, FTP, DHCP, NTP, UPnP, DynDNS, RTSP, PSIA, SNMP, QoS (DSCP), ONVIF (Profile S) |

| Mechanical | |
|----------------------|---------------------------|
| Lens Mounting | M12, Pitch 0.5 mm (0.02") |
| Temperature Detector | Yes |

| Mechanical | | |
|------------|---------------|---|
| Connectors | Power | Terminal block (3 pin), PoE |
| | Ethernet | Ethernet (10/100 Base-T), RJ-45 Connector |
| | Audio | Built-in microphone and speaker |
| | Digital I/O | I/O Wire |
| | Auto Iris | None |
| | Local Storage | Micro SD card slot (SD/SDHC, SD version 2.0 only, Class 10) * SDXC and UHS-I card types are not supported. |
| | TV-Out | None |

| General | | | |
|----------------------------|----------------|--------------------------------------|----------------------------------|
| Environment Temperature | | 0 °C ~ 50 °C (32 °F ~ 122 °F) | |
| Humidity | | 10% to 90% (no condensation) | |
| Power Source | | 12V DC / 24V AC / PoE (IEEE 802.3af) | |
| Max. Power Consumption | | 5 W | |
| Dimension | Camera Body | Hard-Ceiling Mount | ø 160 x 47.66 mm (6.30" x 1.88") |
| | | In-Ceiling Mount | ø 164 x 47.66 mm (6.46" x 1.88") |
| | Cable Length | | 1 m (3.28 ft.) |
| | Cable Diameter | | ø 8 mm (0.31") |
| Maximum Connector Diameter | | ø 28.5 mm (1.12") | |
| Weight | | 650 g (1.43 lb) | |
| Regulatory | | CE, FCC, RCM, RoHS compliant | |

| Power over Ethernet | |
|-----------------------|--|
| PoE Standard | PoE (IEEE 802.3af Power over Ethernet / PSE) |
| PoE Power Supply Type | End-Span |
| PoE Power Output | Per Port 48V DC, 350 mA. Max. 15.4 watts |

| Web Interface | |
|-------------------------|---|
| Installation Management | Web-based configuration |
| Maintenance | Firmware upgrade through Web Browser or Utility |
| Access from Web Browser | Camera Live View, Video Recording, Change Video Quality, Bandwidth Control, Image Snapshot, Digital I/O Control, Audio, Picture in Picture, Picture and Picture, Privacy Mask, Visual Automation, Tampering Alarm, Auto Pan Function, Virtual PTZ, Motion Detection, Wide Angle Lens Dewarping, Text Overlay, Digital PTZ |

Model Options

| | | |
|---------------------|--------------------------------------|---------------------------------------|
| ILS-FE2MP | 2MP Fisheye Camera w/ OnVif Driver | *No License included to 3rd Party VMS |
| ILS-FE2MP-V3 | 2MP Fisheye Camera w/ILS V3 Firmware | *Includes ILS VMS Perpetual License |
| ILS-FE3MP | 3MP Fisheye Camera w/ OnVif Driver | *No License included to 3rd Party VMS |
| ILS-FE3MP-V3 | 3MP Fisheye Camera w/ILS V3 Firmware | *Includes ILS VMS Perpetual License |
| ILS-FE4MP | 4MP Fisheye Camera w/ OnVif Driver | *No License included to 3rd Party VMS |
| ILS-FE4MP-V3 | 4MP Fisheye Camera w/ILS V3 Firmware | *Includes ILS VMS Perpetual License |
| ILS-FE5MP | 5MP Fisheye Camera w/ OnVif Driver | *No License included to 3rd Party VMS |
| ILS-FE5MP-V3 | 5MP Fisheye Camera w/ILS V3 Firmware | *Includes ILS VMS Perpetual License |